



**SIG SAUER**

# JULIET-MICRO™

COMPACT MAGNIFIER

## OPERATOR'S MANUAL

Please visit [sigsauger.com](http://sigsauger.com) for Owners Manual downloads.

### INTRODUCTION

The SIG SAUER® JULIET-MICRO line of Compact Magnifiers provides red dot and holographic sight users extended range capabilities in an ultra-small, lightweight package. When mounted behind a SIG SAUER ROMEO Red Dot sight the flip-to-side JULIET-MICRO Magnifier allows users to quickly change from close to long distance engagements. JULIET-MICRO Magnifiers are covered by the SIG SAUER Electro-Optics Infinite Guarantee.

### CONTENTS:

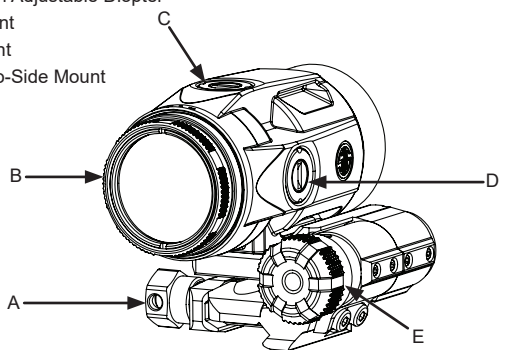
- JULIET-MICRO Compact Magnifier
- 1.41" Absolute Co-Witness Push-Button, Flip-to-Side Mount (installed)
- 1.54" Sight Height Spacer kit
- 1.63" Lower 1/3rd Co-Witness Spacer Kit
- Hex Tool
- Bikini Lens Cover
- Lens Cloth

### KEY FEATURES:

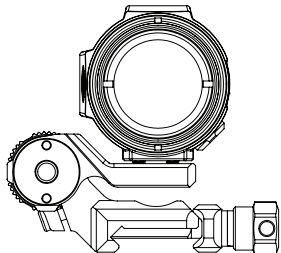
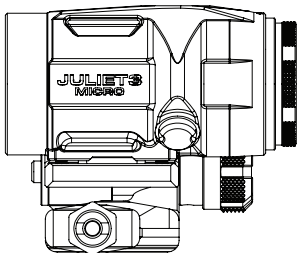
- High Performance Lens Coatings including Dielectric Coated Prism for excellent clarity and contrast
- Push-Button, Flip-to-Side Mount with durable industry standard 1/2" hex keeper
- Ultra-compact size and weight
- IPX7 Waterproofing
- Bikini Lens Cover, and spacers to achieve (3) sight heights: absolute co-witness 1.41", 1.54" and lower 1/3rd co-witness 1.63" sight heights.
- SIG SAUER® Electro-Optics Infinite Guarantee™

### PRODUCT IDENTIFICATION

- A. 1/2" Hex Keeper
- B. Ocular Housing with Adjustable Diopter
- C. Elevation Adjustment
- D. Windage Adjustment
- E. Push-Button, Flip-to-Side Mount



SPECIFICATIONS	JULIET3-MICRO	JULIET5-MICRO
Magnification	3X	5X
Clear Aperture	22	24
Field of View	6.8°	4.0°
Eye Relief	63 mm	60 mm
Diopter Range	± 2Dpt	± 2Dpt
Waterproof	IPX-7	IPX-7
Length	81 mm	79 mm
Weight	277 g	273 g



## WARNING UNLOAD/CLEAR

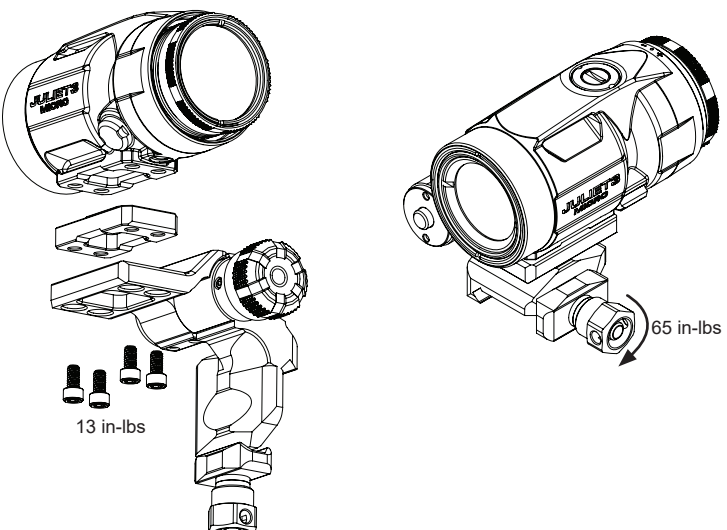
ENSURE YOUR FIREARM IS UNLOADED AND CLEARED OF ALL AMMUNITION AND THE SAFETY IS ENGAGED PRIOR TO INSTALLING OR REMOVING THE JULIET-MICRO.

### OPERATION

#### Installation

#### Step 1 - Sight Height

Your JULIET-MICRO comes configured for 1.41" absolute co-witness, but also includes spacer kits for 1.535" and 1.63" lower 1/3rd co-witness. Determine the sight height of your red dot and adjust your JULIET-MICRO sight height accordingly by using the spacer kits provided. The 4 mounting screws should be torqued to 13 in-lbs.



## Step 2 - Install on Rail

Locate your JULIET-MICRO behind your red dot under the following considerations:

1. Charging handle should be accessible
2. Eye relief is optimal when firearm is shouldered
3. Magnifier does not interfere with red dot or other accessories while using flip-to-side feature

Once the correct rail position is determined for the JULIET-MICRO you may need to move the red dot.

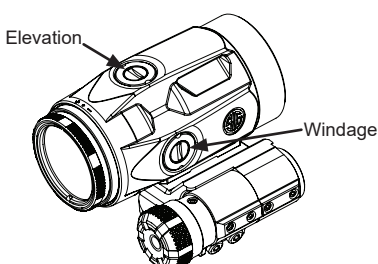
Once both positions of the JULIET-MICRO and your red dot are determined, torque the 1/2" hex nut to 65 in-lbs. If your red dot was removed or repositioned during this process, re-install per manufacturer's specifications.

## Step 3 - Center Elevation & Windage

Ensure that your red dot is zeroed.

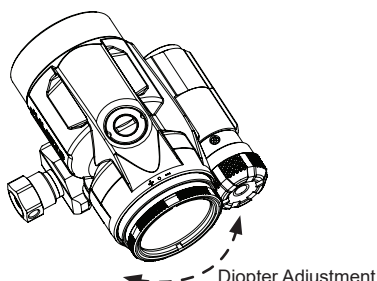
Using the JULIET-MICRO elevation and windage adjustments, rotate one at a time until the red dot is centered in the field of view.

Note: The JULIET-MICRO adjustments will not affect Point of Aim (POA). You will need to make those adjustments on the red dot.



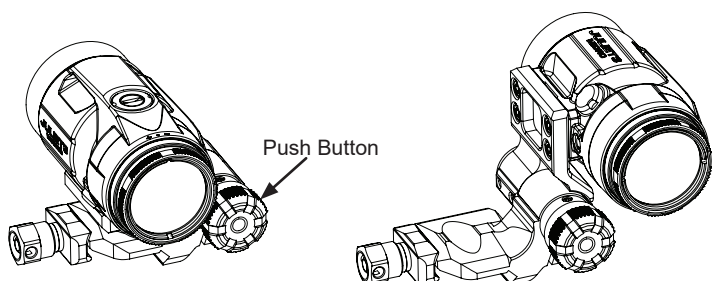
## Step 4 - Set Diopter

JULIET-MICRO comes with an adjustable diopter. To adjust diopter, rotate the eyepiece until the red dot reticle is crisp and clear.



## Step 5 - Flip-to-Side Mount

JULIET-MICRO magnifier comes installed to a push-button, flip-to-side mount. Simply press the button to go from engaged to disengaged.



## TROUBLESHOOTING

<b>Magnifier comes loose</b>	Verify 1/2" Hex Nut is torqued to 65 in-lbs
	Verify (4) Mounting screws torqued to 13 in-lbs
<b>POA/POI Shift</b>	Verify red dot is zeroed
<b>Dot or Reticle is blurry</b>	Adjust diopter until crisp and clear
<b>Seeing "scope shadow"</b>	Turn JULIET-MICRO elevation and windage adjustments until dot is centered in field of view
	Ensure JULIET-MICRO is configured to match red dot sight heights of 1.41 in, 1.535 in, or 1.63 in.
<b>Charging handle is inaccessible</b>	Move JULIET-MICRO forward on rail until charging handle is accessible
<b>Lens is cloudy or dirty</b>	Clean both lenses with provided lens cloth



**WARNING: CANCER AND REPRODUCTIVE HARM**—[www.P65warnings.ca.gov](http://www.P65warnings.ca.gov)



## SIG SAUER ELECTRO-OPTICS INFINITE GUARANTEE®/LIMITED LIFETIME WARRANTY



SIG SAUER® has manufactured the most rugged, dependable, high-performance firearms for more than two centuries. Our heritage of design, engineering, and precision-manufactured quality predates the existence of any other optics company worldwide. We understand the importance of quality in the line of fire, at the shooting range or on your next hunt. SIG SAUER Electro-Optics had to earn the right to wear that badge and the Infinite Guarantee has your back, forever. Period.

We will repair or replace your SIG SAUER product in the event it becomes damaged or defective, at no charge to you. If we cannot repair your product, we will replace it with a product in perfect working order of equal or better physical condition.

### SIG SAUER® Infinite Guarantee®

- Unlimited Lifetime Guarantee
- Fully Transferable
- No Warranty Card Required
- No Receipt Required
- No Time Limit Applies
- No Charge

Please note that our Infinite Guarantee excludes coverage for intentional damage, misuse, cosmetic damage that does not affect the performance of the optic, loss, theft, or unauthorized repair or modification. Excludes electronic and Tritium components.

Customers seeking warranty coverage must first obtain a Return Merchandise Authorization (RMA) by contacting SIG SAUER Customer Service, and return the product unloaded and freight prepaid. ANY WARRANTIES IMPLIED BY LAW, INCLUDING ANY IMPLIED WARRANTIES OF MERCHANTABILITY OR FITNESS FOR A PARTICULAR PURPOSE, ARE EXPRESSLY DISCLAIMED. REPAIR, ALTERATION, OR REPLACEMENT AS PROVIDED HEREIN IS YOUR EXCLUSIVE REMEDY FOR ANY DEFECTIVE PRODUCT. IN NO EVENT SHALL SIG SAUER OR ANY COMPANY AFFILIATED WITH SIG SAUER BE LIABLE FOR ANY SPECIAL, INCIDENTAL, OR CONSEQUENTIAL DAMAGES OF ANY KIND ARISING OUT OF THE PURCHASE OR USE OF THIS PRODUCT, WHETHER BASED UPON CONTRACT, TORT, STATUTE, OR OTHERWISE. Some states do not allow the exclusion or limitation of implied warranties, or the exclusion or limitation of incidental or consequential damages, so some or all of the above limitations or exclusions may not apply to you. This warranty gives you specific legal rights, and you may also have other rights which vary from State to State.

THIS WARRANTY APPLIES TO COMMERCIAL CUSTOMERS ONLY, AND DOES NOT APPLY TO GOVERNMENT, MILITARY, LAW ENFORCEMENT, OR NON-US CUSTOMERS. NON-US CUSTOMERS MUST PURCHASE PRODUCT THROUGH AN AUTHORIZED SIG SAUER DEALER WITHIN THEIR COUNTRY OF RESIDENCE FOR THIS WARRANTY TO APPLY.

## SIG SAUER® ELECTRONIC COMPONENT LIMITED 5-YEAR WARRANTY



SIG SAUER warrants that the electronic and tritium components of the enclosed product were originally manufactured free of defects in workmanship, material, and mechanical function. For a period of five (5) years from the date of manufacture, SIG SAUER agrees to correct any defect in these components by repair, adjustment, or replacement, at SIG SAUER's option, with the same or comparable quality components (or by replacing the product at SIG SAUER's option); provided however that a Return Merchandise Authorization (RMA) is first obtained by contacting SIG SAUER Customer Service, and that the product is returned unloaded and freight prepaid.

This limited warranty is null and void if the product has been misused, damaged (by accident or otherwise), damaged through failure to provide reasonable and necessary maintenance as described in the user's manual, or if unauthorized repair or any alteration, including of a cosmetic nature, has been performed on the product. This limited warranty does not apply to normal cosmetic wear and tear of any parts.

ANY WARRANTIES IMPLIED BY LAW, INCLUDING ANY IMPLIED WARRANTIES OF MERCHANTABILITY OR FITNESS FOR A PARTICULAR PURPOSE, ARE EXPRESSLY DISCLAIMED. REPAIR, ALTERATION, OR REPLACEMENT AS PROVIDED HEREIN IS YOUR EXCLUSIVE REMEDY FOR ANY DEFECTIVE PRODUCT. IN NO EVENT SHALL SIG SAUER OR ANY COMPANY AFFILIATED WITH SIG SAUER BE LIABLE FOR ANY SPECIAL, INCIDENTAL, OR CONSEQUENTIAL DAMAGES OF ANY KIND ARISING OUT OF THE PURCHASE OR USE OF THIS PRODUCT, WHETHER BASED UPON CONTRACT, TORT, STATUTE, OR OTHERWISE. Some states do not allow the exclusion or limitation of implied warranties, or the exclusion or limitation of incidental or consequential damages, so some or all of the above limitations or exclusions may not apply to you. This warranty gives you specific legal rights, and you may also have other rights which vary from State to State.

THIS WARRANTY APPLIES TO COMMERCIAL CUSTOMERS ONLY, AND DOES NOT APPLY TO GOVERNMENT, MILITARY, LAW ENFORCEMENT, OR NON-US CUSTOMERS. NON-US CUSTOMERS MUST PURCHASE PRODUCT THROUGH AN AUTHORIZED SIG SAUER DEALER WITHIN THEIR COUNTRY OF RESIDENCE FOR THIS WARRANTY TO APPLY.

FOR PRODUCT SERVICE ON THIS MODEL,  
PLEASE CALL 603-610-3000  
27100 SW Parkway Ave. Wilsonville, OR 97070 USA

**SIG SAUER®**